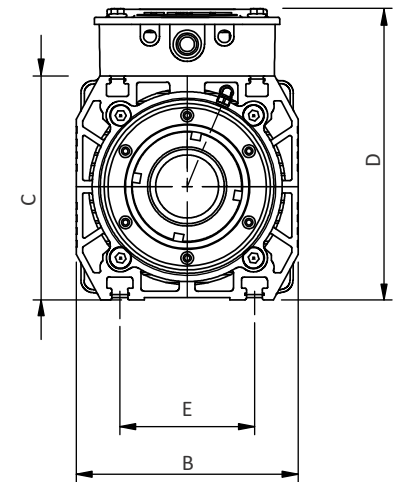
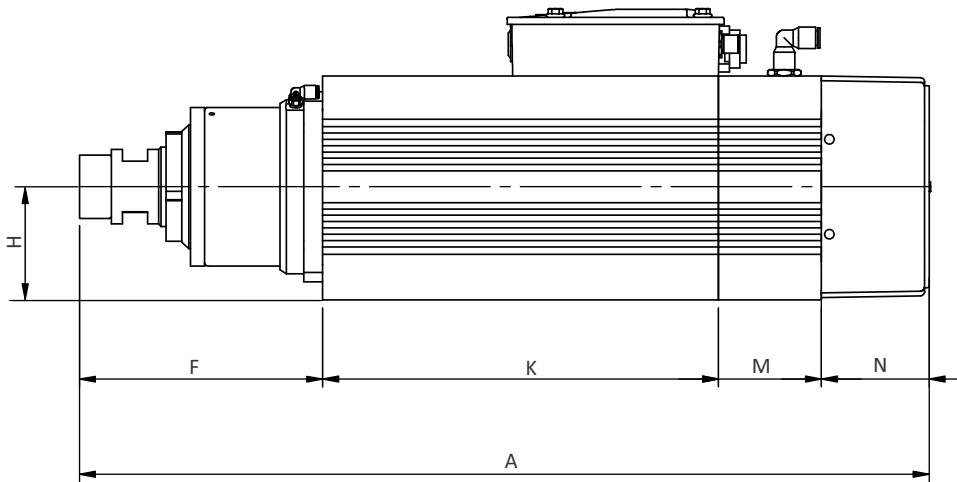


## ARES.MANUEL MOTOR



Type	A mm	B mm	C mm	D mm	E mm	F mm	H mm	K mm	M mm	N mm	
ARES S (1)	446.5	140	142	184	85	153.5	72	160	M8 T KANAL/ T SLOT	65	68
ARES M (2)	496.5	140	142	184	85	153.5	72	210	M8 T KANAL/ T SLOT	65	68
ARES L (3)	536.5	140	142	184	85	153.5	72	250	M8 T KANAL/ T SLOT	65	68
Type	KW/HP	Rpm	HZ	Volt	Ampere	kg	PENS/COLLETS				
ARES - 132	4 / 5.5	18000	300	380v.3~	10		ER 32 1 - 20 mm ER 40 2 - 26 mm				
ARES - 142	5.5 / 7.5	24000	400	380v.3~	12						
ARES - 232	5.5 / 7.5	18000	300	380v.3~	12						
ARES - 242	7.5 / 10	24000	400	380v.3~	15.5						
ARES - 332	7.5 / 10	18000	300	380v.3~	15.5						
ARES - 342	9 / 12	24000	400	380v.3~	18.5						

